

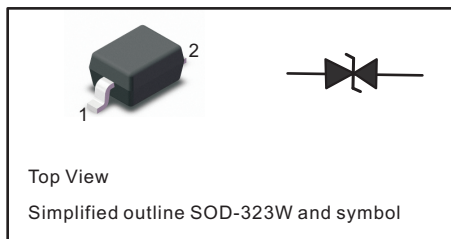
ESD Diode Array

Features

- 350 Watts Peak Pulse Power per (8/20 μ s)
- IEC61000-4-2 (ESD) \pm 15kV (air), \pm 8kV (contact)
- Protects one I/O line (bidirectional)
- Low clamping voltage
- Low leakage current
- Working voltages : 12V, 15V, 18V

PINNING

PIN	DESCRIPTION
1	Cathode
2	Anode



Applications

- Cell Phone Handsets and Accessories
- Microprocessor based equipment
- Personal Digital Assistants (PDA's)
- Notebooks, Desktops, and Servers
- Portable Instrumentation
- Networking and Telecom
- Serial and Parallel Ports
- Peripherals

Mechanical Characteristics

- Package: SOD-323W
- Flammability Rating: UL 94V-0
- High temperature soldering guaranteed:
260°C/ 10s
- Packaging: Tape and Reel

Absolute Maximum Ratings And Characteristics (Ta = 25 °C)

Parameter	Symbol	Value	Unit
Peak Pulse Power(8/20 μ S)	P _{pp}	350	W
ESD per IEC 61000-4-2(Air) ESD per IEC 61000-4-2(Contact)	V _{ESD}	\pm 15 \pm 8	kV
Operating Temperature Range	T _J	-55 to +150	°C
Storage Temperature Range	T _{stg}	-55 to +150	°C



Characteristics at Ta = 25°C

Type	Marking	Peak Reverse Working Voltage	Reverse Breakdown Voltage	I _r	Clamping Voltage				Reverse Leakage Current	Junction Capacitance
		V _{RWM}	V _{BR}		V _c (@IPP)		V _c (@IPP)	I _R	C _J	
		Max (V)	Min (V)		Max (V)	A	Max (V)	A	Max (μA)	Max (pF)
ESDB12V0D3	B2	12	13.3	1	19	1	32	11	1	75
ESDB15V0D3	5B	15	16.7	1	24	1	38	10	1	68
ESDB18V0D3	8B	18	20.0	1	29	1	45	9	1	57

Fig.1 Power Derating Curve

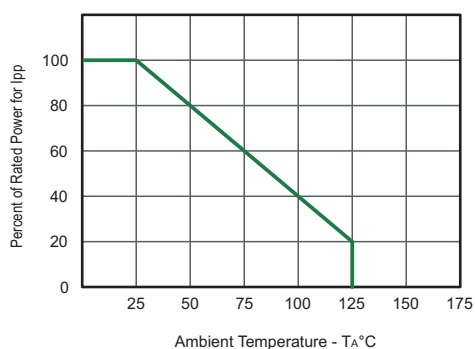
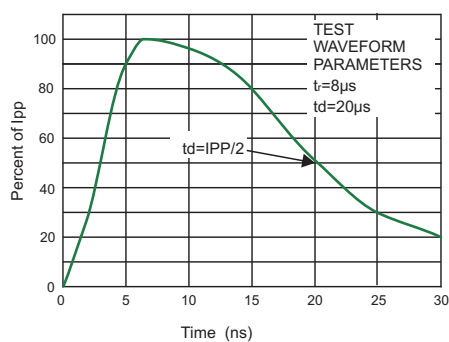


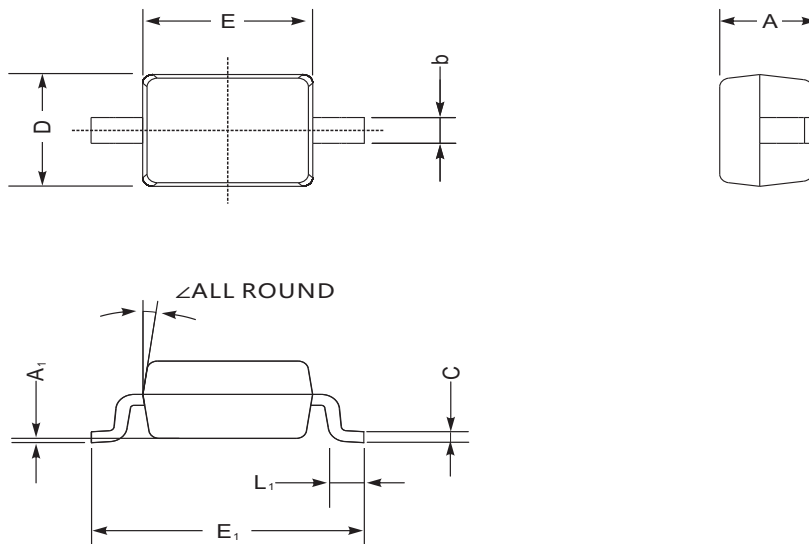
Fig.2 Pulse Waveform



PACKAGE OUTLINE

Plastic surface mounted package; 2 leads

SOD-323W



SOD-323W mechanical data

UNIT		A	C	D	E	E ₁	b	L ₁	A ₁	∠
mm	max	1.1	0.15	1.4	1.8	2.75	0.4	0.45	0.2	9°
	min	0.8	0.08	1.2	1.4	2.55	0.25	0.2	—	
mil	max	43	5.9	55	70	108	16	16	8	
	min	32	3.1	47	55	100	9.8	7.9	—	

The recommended mounting pad size

