



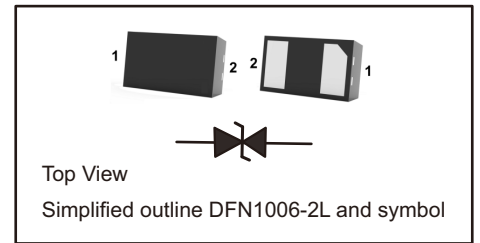
## Transient Voltage Suppressors for ESD Protection

### FEATURES

- Ultrasmallpackage
- ResponseTimeisTypically<1ns
- ESD>30kVperHumanBodyModel
- IEC61000-4-2Level4ESDProtection
- HFProduct.

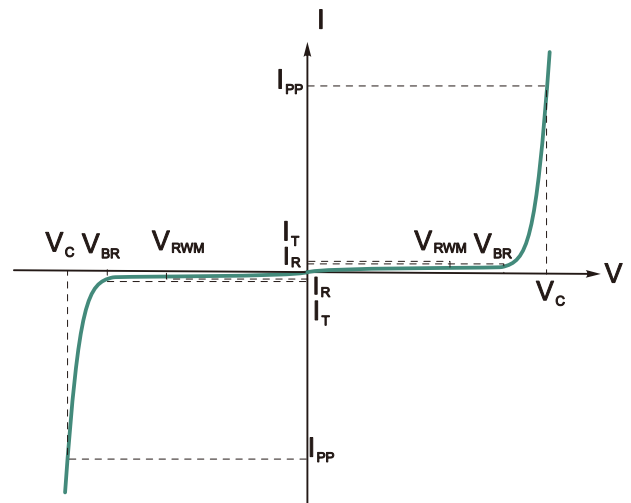
### Applications

- Suitableforcellularphonesaudio
- Mp3players
- Digitalcameras
- Portabledevices
- Mobiletelephoneandotherusers



### Electronics Parameter

Parameter	Symbol
Maximum Reverse Peak Pulse Current	$I_{PP}$
Clamping Voltage @ $I_{PP}$	$V_C$
Peak Reverse Working Voltage	$V_{RWM}$
Reverse Leakage Current @ $V_{RWM}$	$I_R$
Breakdown Voltage @ $I_T$	$V_{BR}$
Test Current	$I_T$



### Absolute Maximum Ratings And Characteristics ( $T_a = 25^\circ\text{C}$ )

Parameter	Symbol	Value	Unit
Peak Pulse Power (8/20 $\mu\text{S}$ )	$P_{pk}$	420	W
Peak Pulse Current	$I_{pp}$	7.0	A
ESD per IEC 61000-4-2 (Air) ESD per IEC 61000-4-2 (Contact)	$V_{ESD}$	$\pm 30$ $\pm 30$	KV
Operating Temperature Range	$T_J$	-55 to +125	$^\circ\text{C}$
Storage Temperature Range	$T_{stg}$	-55 to +150	$^\circ\text{C}$



Characteristics at Ta = 25°C

Parameter	Symbol	Conditions	Minimum	Typical	Maximum	Units
Reverse stand-off voltage	VRWM				36	V
Breakdown Voltage	VBR	IT=1mA	36			V
Reverse Leakage Current	IR	VRWM=36V, Ta=25°C			0.1	uA
Clamping Voltage	VC	I <sub>PP</sub> =1A, t <sub>p</sub> =8/20us I <sub>PP</sub> =7A, t <sub>p</sub> =8/20us			48 77	V
Junction Capacitance	Cj	VR=0V, f=1HMz			20	pF

Fig.1 Pulse Waveform

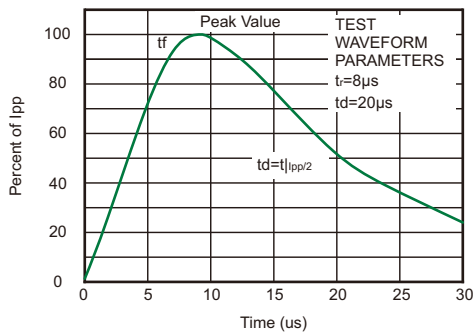
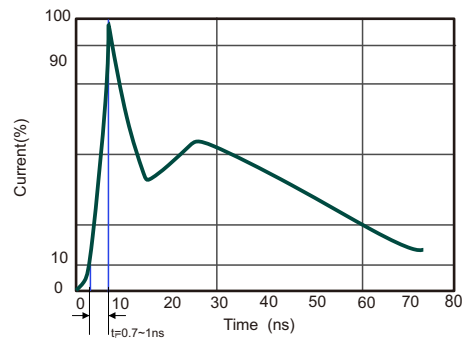
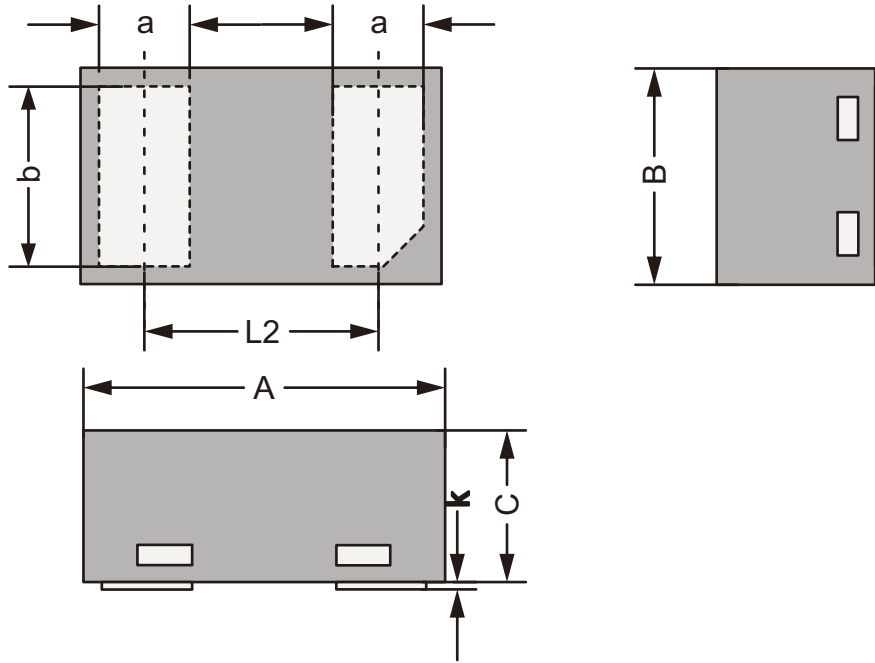


Fig.2 Contact discharge current waveform per IEC61000-4-2





DFN1006-2L Package Outline Dimensions



DFN1006-2L mechanical data

UNIT		A	B	C	L2	a	b	k
mm	max	1.05	0.65	0.55	0.65 REF	0.29	0.54	0.03
	min	0.95	0.55	0.45		0.21	0.46	0.00
mil	max	41.34	25.59	21.65	25.59 REF	11.42	21.26	55.12
	min	37.40	21.65	17.72		8.27	18.11	1.18

Marking

Type number	Marking code
ESDB36V0DS2A	yN



## Important Notice and Disclaimer

Jingdao Microelectronics reserves the right to make changes to this document and its products and specifications at any time without notice.

Customers should obtain and confirm the latest product information and specifications before final design, purchase or use.

Jingdao Microelectronics makes no warranty, representation or guarantee regarding the suitability of its products for any particular purpose, not does Jingdao Microelectronics assume any liability for application assistance or customer product design.

Jingdao Microelectronics does not warrant or accept any liability with products which are purchased or used for any unintended or unauthorized application.

No license is granted by implication or otherwise under any intellectual property rights of Jingdao Microelectronics.

Jingdao Microelectronics products are not authorized for use as critical components in life support devices or systems without express written approval of Jingdao Microelectronics.